



A9230-C-000

13.56MHz Desk-Top Reader System



AMIC's A9230-C-000 desk-top reader system is a flexible and cost effective 13.56MHz contactless reader system for short distance RFID applications.

Integrated Antenna

A9230-C-000 desk-top reader system has integrated antenna and requires no separate antenna for easy installation and on the spot deployment of RFID technology

Compatibility

A9230-C-000 desk-top reader system is designed to comply with ISO-15693 standard. RFID tags of various manufacturers can be used to offer the most cost saving application integration.

Feature

- ISO-15693 protocol standard
- Operating distance up to 15 cm (depend on transponder type)
- RS-232 Interface
- Baud rate up to 115.2 kbps
- Integrated internal antenna
- Status LEDs
- USB port for power supply
- Complete application development library for Windows 2000 / XP

Applications

- Logistics
- Object tracking
- Asset management
- Access control
- Factory automation
- Inventory control
- Identification



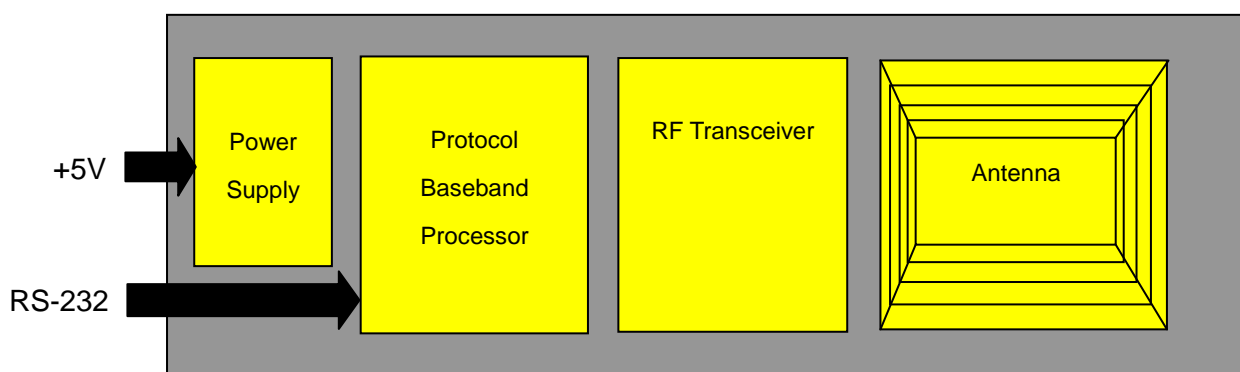
A9230-C-000

13.56MHz Desk-Top Reader System

System Specification

Standard	ISO 15693
Operating Frequency	13.56MHz
Storage Temperature	-10°C to +60°C
Operating Temperature	0°C to +50°C
Operating Distance	Up to 15cm (depend on the transponder type)
Host Interface	RS-232
Host Communication Baud Rate	up to 115.2 kbps
Power Source	+5VDC through USB port
Enclosure	ABS plastic
LED indicators	2 LED indicators for antenna reader status
Dimension	102mm(W) x 165mm(D) x 32mm(H)

Block Diagram



* AMIC reserves the rights to change product specification without notice