



# A9230-D

## 13.56MHz Desk-Top Reader System



AMIC's A9230-D desk-top reader family is a flexible and cost effective 13.56MHz contactless reader system for short range RFID applications. Three models are available to offer different user interfaces: USB, RS-232, or RS-485. A9230-D reader family can support up to two antennas separate from the reader control unit by 2 meters.

### Detachable Antennas

A9230-D desk-top reader family can support up to two antennas (impedance equal to 50Ω) by a single reader unit. The reader has the capability to scan between the two antennas in high speed which is very suitable for multi-antenna applications. When only one antenna is required, one of the antennas can simply be disabled or just order the reader with one antenna. Two standard antennas are designed to work with the A9230-D reader family: A9290-A-0C (8.5 x 16.5 cm) and A9290-A-0D (16.5 x 21.8 cm)

### Compatibility

A9230-D desk-top readers are designed to comply with ISO-15693 standard. It can also read tag UID for ISO-14443A tags. RFID tags of various manufacturers can be used to offer the most cost saving application integration.

### Feature

- ISO-15693 protocol standard
- ISO-14443A UID only
- Operating distance up to 20 cm (A9290-A-0D and ISO-15693 ISO card tag)
- Supports USB, RS-232, or RS-485 host interface
- Baud rate up to 115.2 kbps
- Status LEDs
- USB port for power supply
- Complete application development library for Windows 2000 / XP

### Applications

- Logistics
- Object tracking
- Asset management
- Access control
- Factory automation
- Inventory control
- Identification



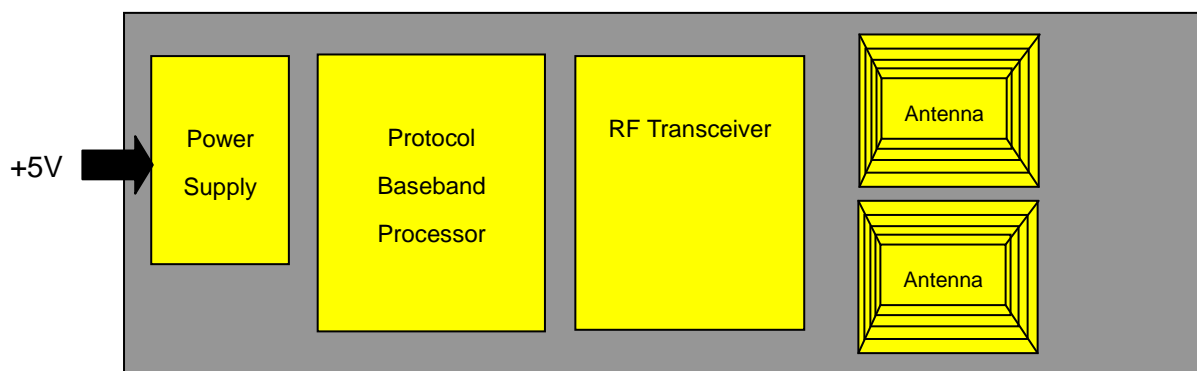
# A9230-D

## 13.56MHz Desk-Top Reader System

### System Specification

<b>Standard</b>	ISO 15693 / ISO-14443A UID only
<b>Operating Frequency</b>	13.56MHz
<b>Storage Temperature</b>	-10°C to +60°C
<b>Operating Temperature</b>	0°C to +50°C
<b>Operating Distance</b>	20cm (With A9290-A-0D antenna and ISO-15693 ISO card tag)
<b>Host Interface</b>	Either USB, RS-232, or RS-485
<b>Host Communication Baud Rate</b>	up to 115.2 kbps
<b>Power Source</b>	+5VDC through USB port
<b>Enclosure</b>	ABS plastic
<b>LED indicators</b>	2 LED indicators for antenna reader status
<b>Dimension (Controller)</b>	72mm(W) x 119mm(D) x 25mm(H)
<b>Antenna Switching Time</b>	350msec (two ports model only)

### Block Diagram



### Product Order Information

Part Number	Number of Antenna Ports	Host Interface Type
A9230-D-001-USB	1	USB
A9230-D-002-USB	2	USB
A9230-D-001-232	1	RS-232
A9230-D-002-232	2	RS-232
A9230-D-001-485	1	RS-485
A9230-D-002-485	2	RS-485

\* AMIC reserves the rights to change product specification without notice